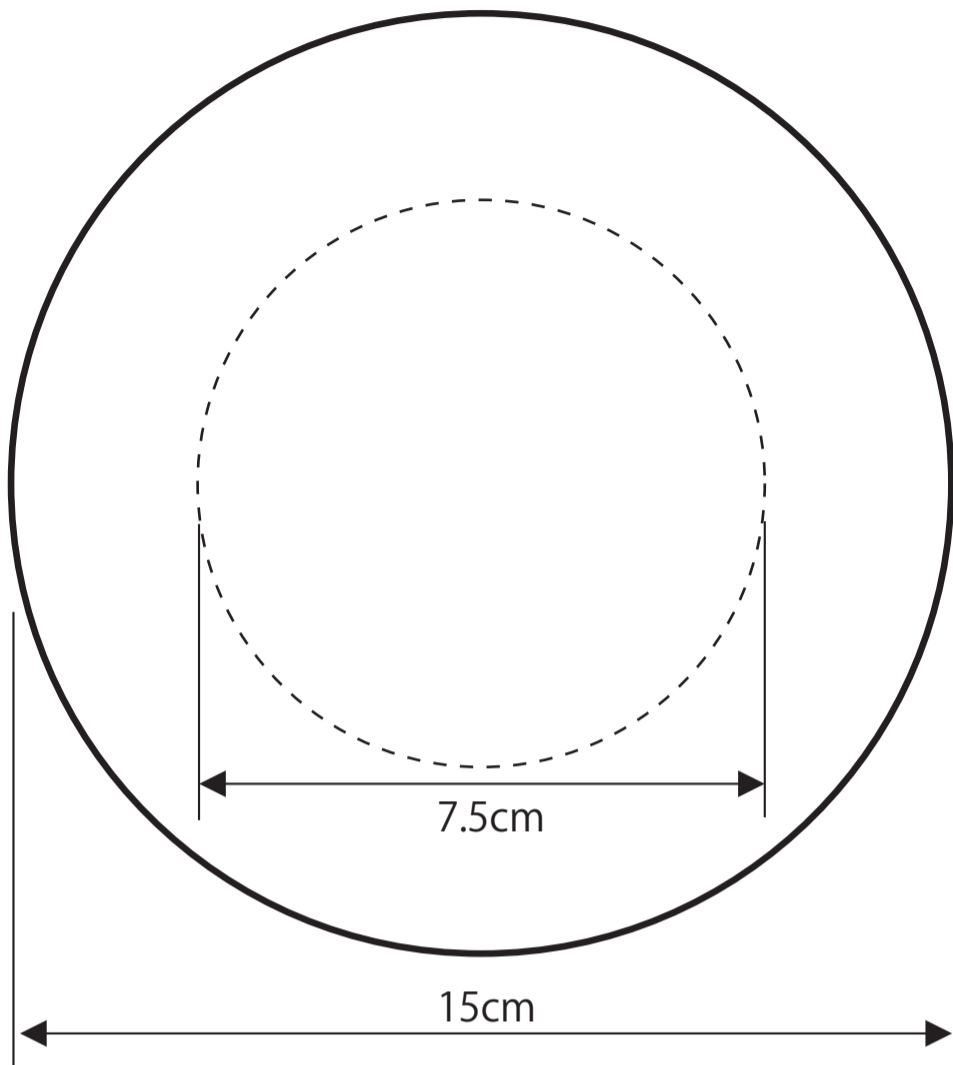
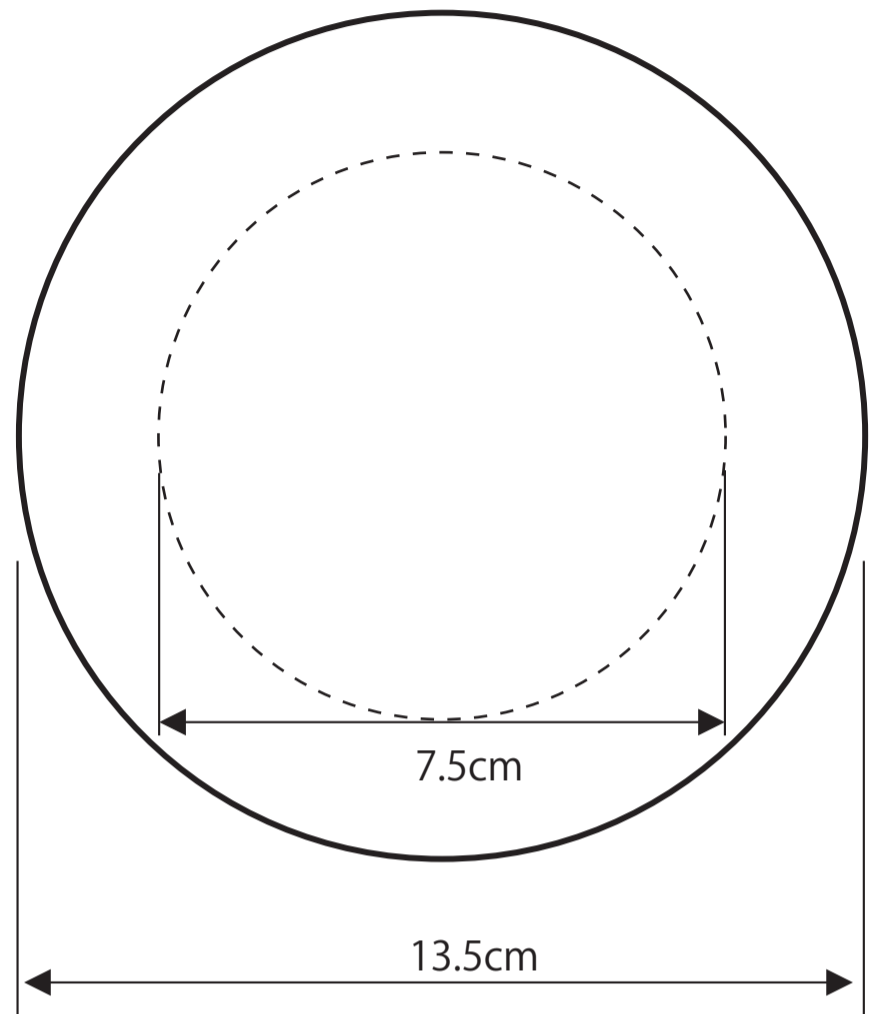


# Sizes of the items for chinkin (carving) experience workshop

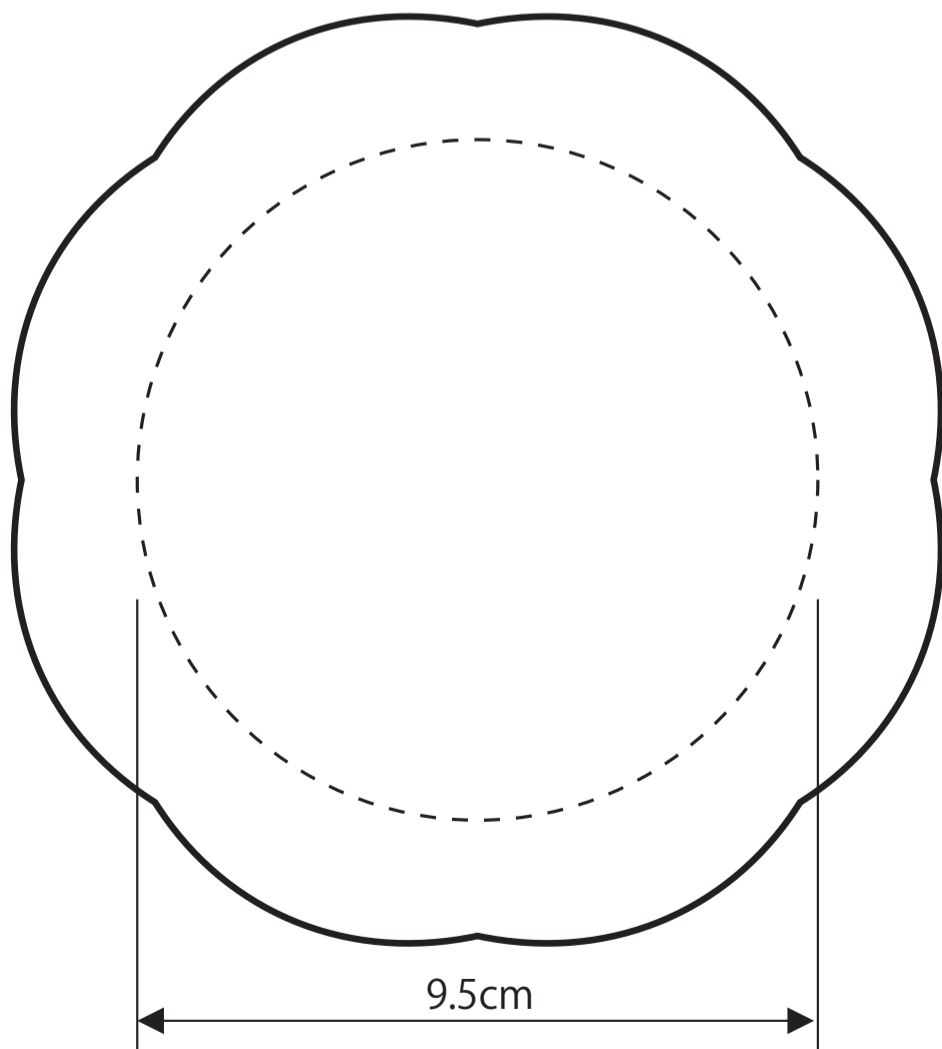
Thick edge plate (black)



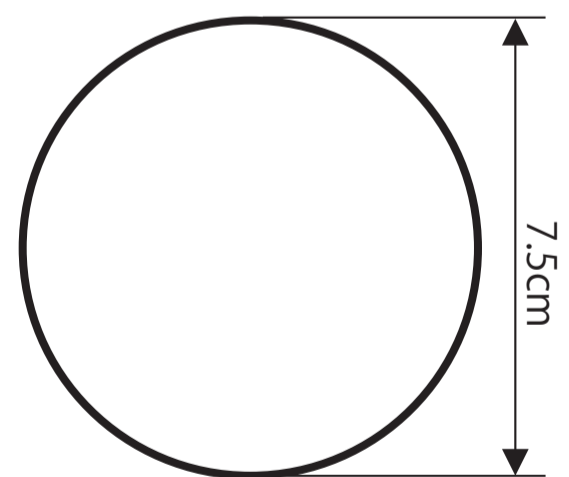
Meimei-zara (small plate)  
(with transparent processing using red and black lacquer)



Ume-gata zara (a plate shaped in plum flower)  
(with transparent processing using red and black lacquer)



Hand mirror



\*Design can be drawn inside the dotted lines. Please draw your designs so as to fit inside the dotted lines.

